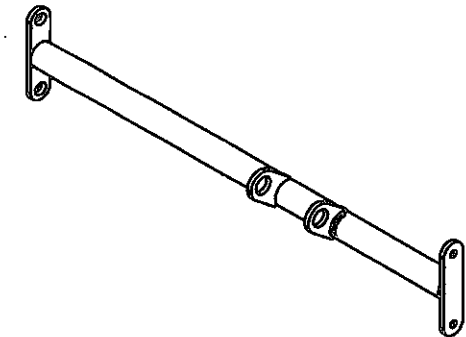


article no.	B mm	b mm	Bemerkung comment
MP 34-10	535	430	
MP 34-11	585	480	
MP 34-12	635	530	
MP 34-13	785	680	
MP 34-14	885	780	
MP 34-15	---	545	Mindestmenge beachten / see minimum quantity
MP 34-16	---	624	Mindestmenge beachten / see minimum quantity
MP 34-17	---	824	Mindestmenge beachten / see minimum quantity
MP 34-18			
MP 34-19			
MP 34-20			
MP 34-21			



LUSCH

Tel.: +49 521 9417-0
info@ferdinand-lusch.de

date/name
09.10.18/Bd

name
Tw

name
16.10.
18 / LW

article
Querstrebe
crossbar

article-no.

Index 002

MP34-10-->MP34-21