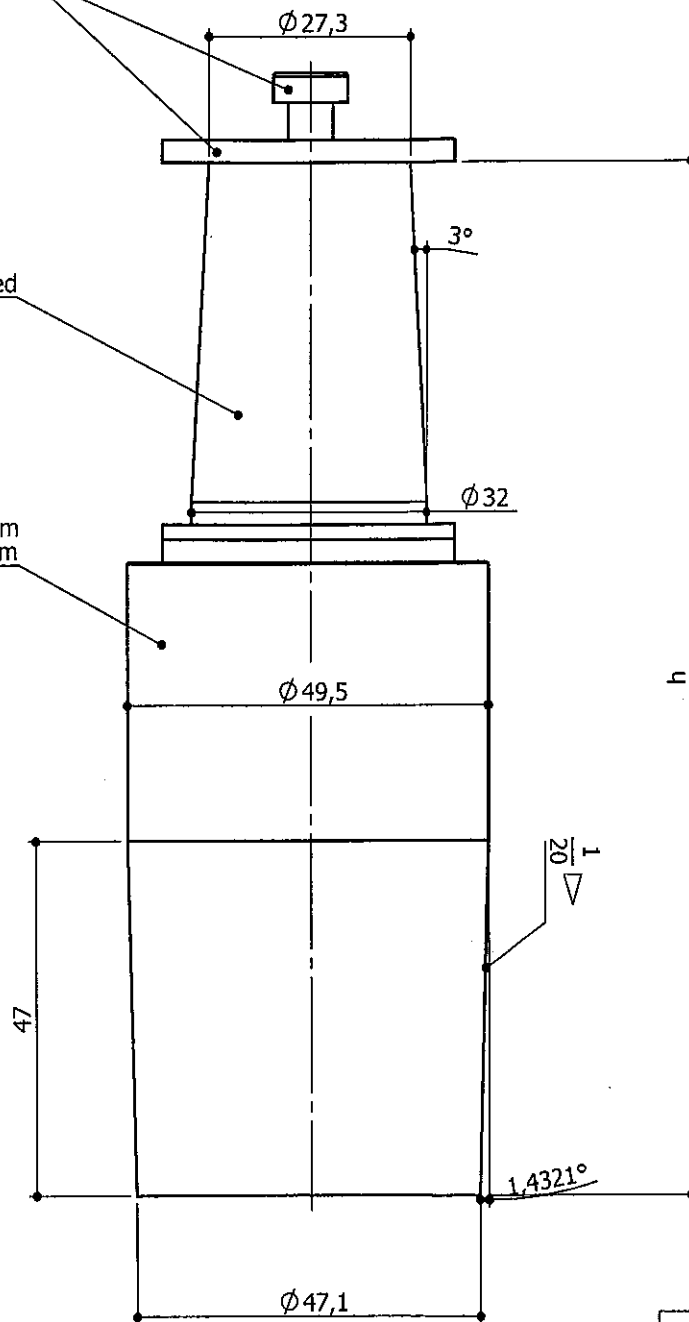


Transportsicherung
transport safety device

Stahl verzinkt
steel galvanized

Aluminium
aluminium



article no.	h mm
RN 45-50	137
RN 45-51	157
RN 45-52	
RN 45-53	
RN 45-54	

article

Mittelsäule für Drehteller (Eurokonus)
middle unit for disc base (Euro cone)

article-no.

Index 003

RN 45-50

-->

RN 45-54



LUSCH

Tel.: +49 521 9417-0
info@ferdinand-lusch.de

date/name

07.09.2018/Gr

name

TW

name

26.11.

19

44