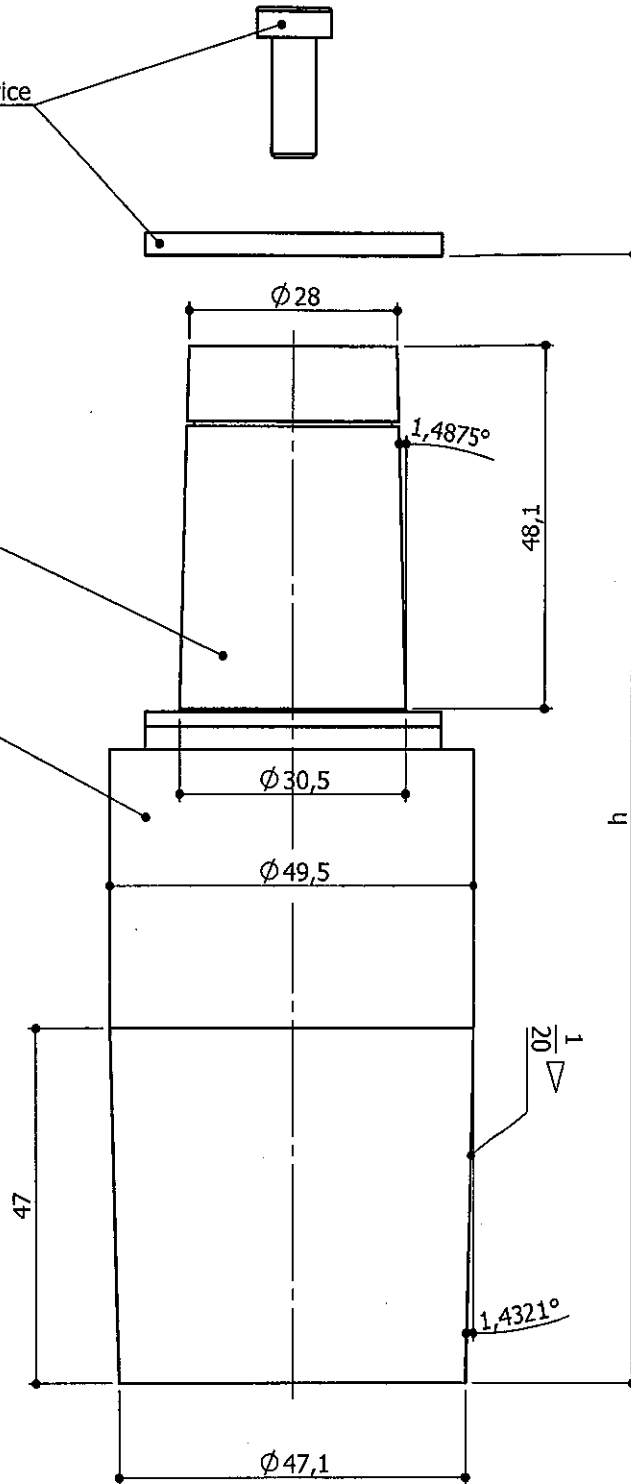


Transportsicherung
transport safety device

Stahl verzinkt
steel galvanized

Aluminium
aluminium



article no.	h mm
RN 45-60	137
RN 45-61	157
RN 45-62	
RN 45-63	
RN 45-64	

article

Mittelsäule MK4 für Drehteller
middle unit MK4 for disc base

article-no. Index 001

RN 45-60

-->

RN 45-64



LUSCH

Tel.: +49 521 9417-0
info@ferdinand-lusch.de

date/name

10.05.2019/Bu

name

Tw

name

26.11.
19/12